

JUNIOR TIMER VALVE PLUG 90° LED VDR

PVC 2x0,75 black 7.5m

Female 90°

10...24 V AC/30 V DC

LED and VDR

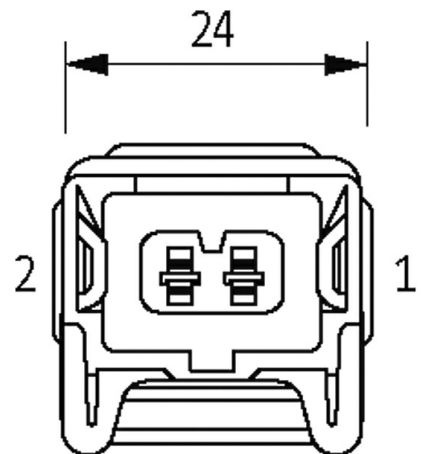
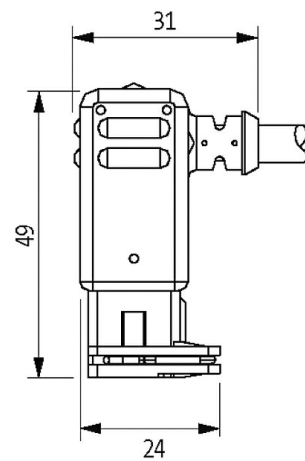
Plastic housings with good resistance against chemicals and oils.

The resistance to aggressive media should be individually tested for your application. Further details on request.

Further cable lengths on request.

[Link to Product](#)

Illustration



Product may differ from Image

Form

Form 70361

General data

Pollution Degree 3
 Temperature range -25...+85 °C, depending on cable quality

Cables

Cable number 752

| | |
|------------------------------------|--|
| No./diameter of wires | 2 × 0.75 mm ² |
| Wire isolation | PVC (br, bl) |
| Jacket Color | black |
| Material (jacket) | PVC |
| Outer Ø | 5.2 mm ±5% |
| Bend radius (moving) | 15× outer Ø |
| Temperature range (fixed) | -30...+70 °C |
| Temperature range (mobile) | -5...+70 °C |
| Cable identification | 752 |
| Approval (cable) | CE |
| Cable weight [g/m] | 50,60 |
| Material (wire) | Cu wire, bare |
| Resistor (core) | max. 26 Ω/km (20 °C) |
| Single wire Ø (core) | 0.2 mm |
| Construction (core) | 24 × 0.2 mm (multi-strand wire class 5) |
| Diameter (core) | 2 × 0.75 mm ² |
| AWG | similar to AWG 18 |
| Material (wire isolation) | PVC |
| Material property (wire isolation) | CFC-, cadmium-, silicone- and lead-free |
| Shore hardness (wire isolation) | 90 ±5 A |
| Wire-Ø incl. isolation | 1.8 mm ±5% |
| Color/numbering of wires | br, bl |
| Stranding combination | 2 wires twisted |
| Shield | no |
| Material (jacket) | PVC |
| Material property (jacket) | CFC-, cadmium-, silicone- and lead-free, matt, low-adhesion, machine easy to process, abrasion-resistant |
| Shore hardness (jacket) | 80 ±5 A |
| Outer-Ø (jacket) | 5.2 mm ±5% |
| Color (jacket) | black |
| chemical resistance | good resistance to oil, gasoline and chemicals |
| thermal resistance | flame retardant |
| Nominal voltage | 300/500 V AC |
| Test voltage | 2000 V AC |
| Current load capacity | to DIN VDE 0298-4 |
| Temperature range (fixed) | -30...+70 °C |
| Temperature range (mobile) | -5...+70 °C |
| Bend radius (fixed) | 10× outer Ø |
| Bend radius (moving) | 15× outer Ø |

Technical Data

| | |
|-------------------------------|--|
| Operating voltage | 10...24 V AC/30 V DC |
| Rated surge voltage | 0.8 kV |
| Operating current per contact | max. 4 A |
| Current consumption | approx. 12 mA |
| Material group | IEC 60664-1, category I |
| LED display | (yellow) |
| Protection | IP65 inserted and tightened (EN 60529) |
| Housing | Black plastic, flame retardant |

Commercial data

| | |
|-----------------------|---------------|
| country of origin | DE |
| customs tariff number | 85444290 |
| EAN | 4048879286459 |
| eClass | 27279218 |
| Packaging unit | 1 |